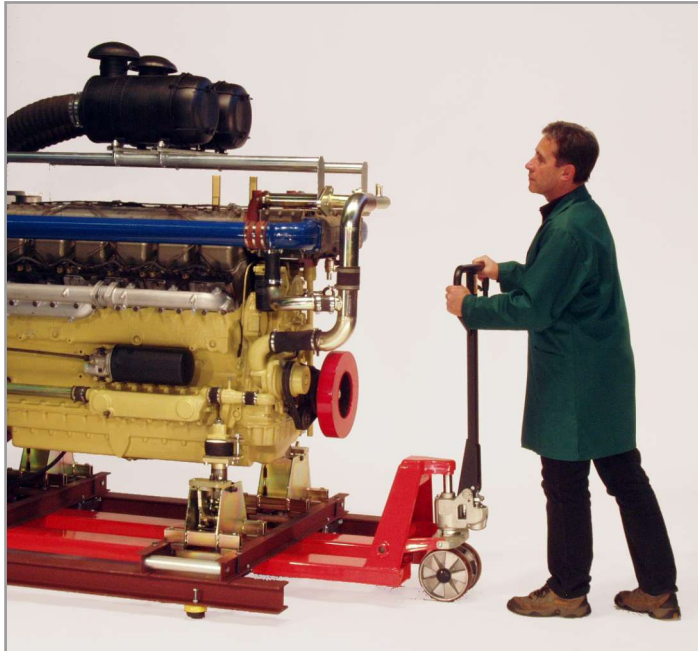


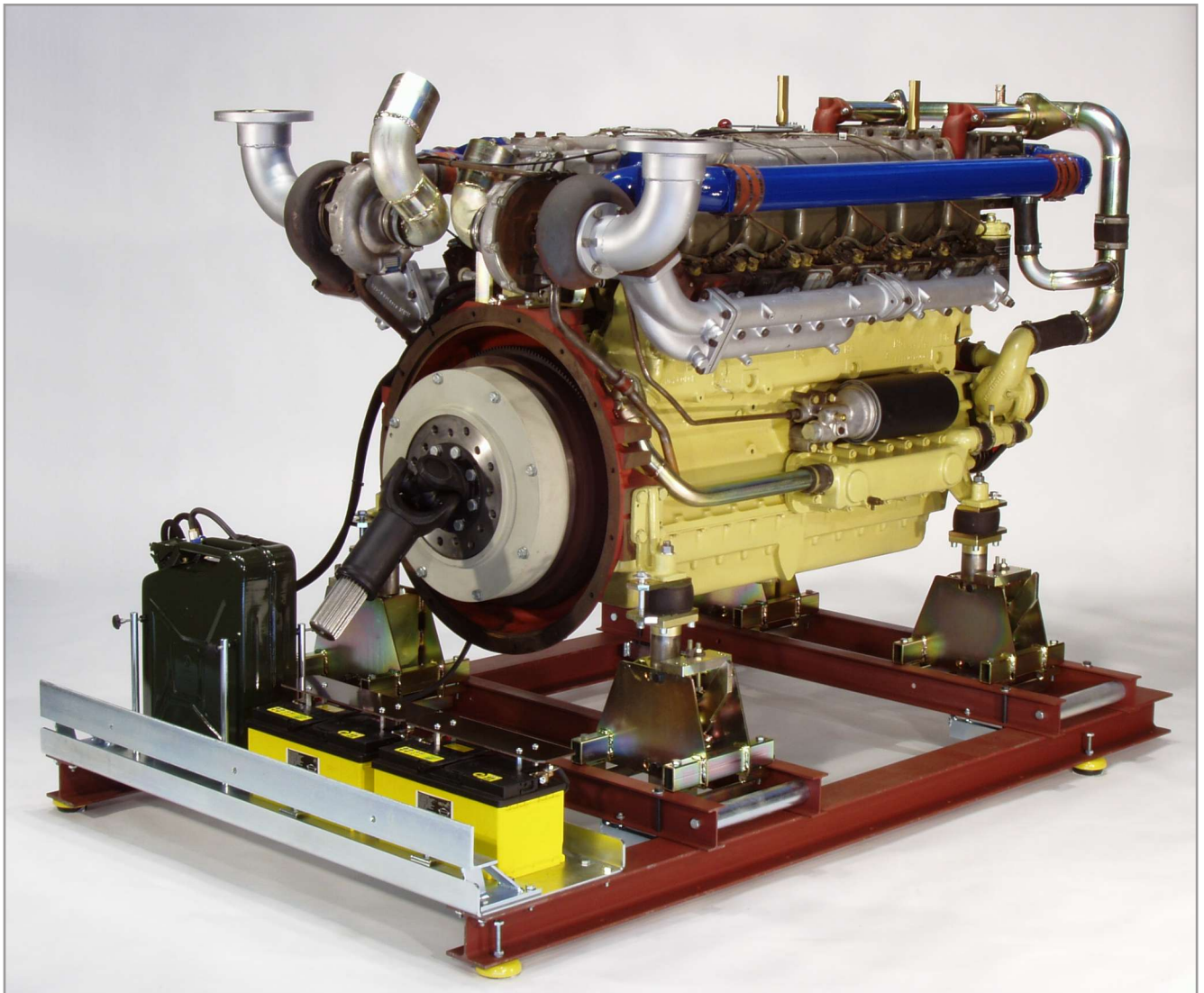
Universal engine supports



can be moved ...

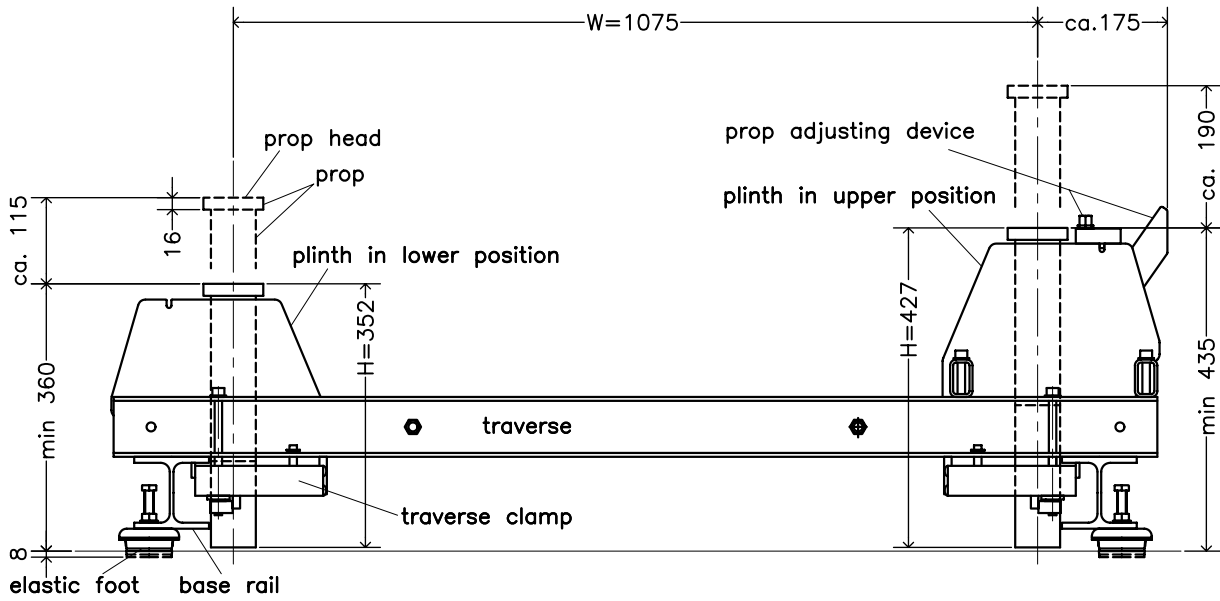


... and adjusted easily.

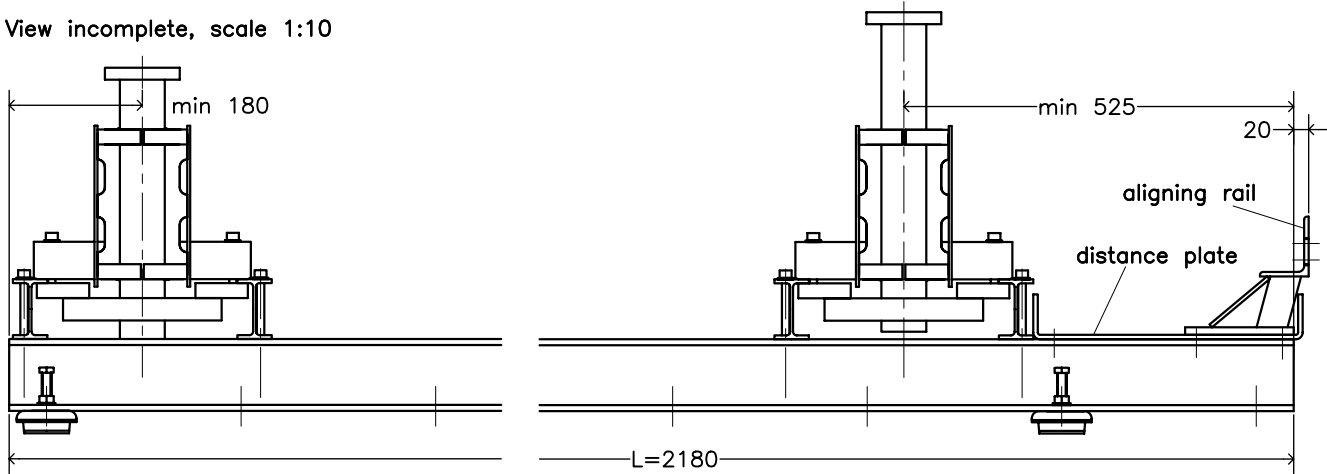


Specify your engine support:

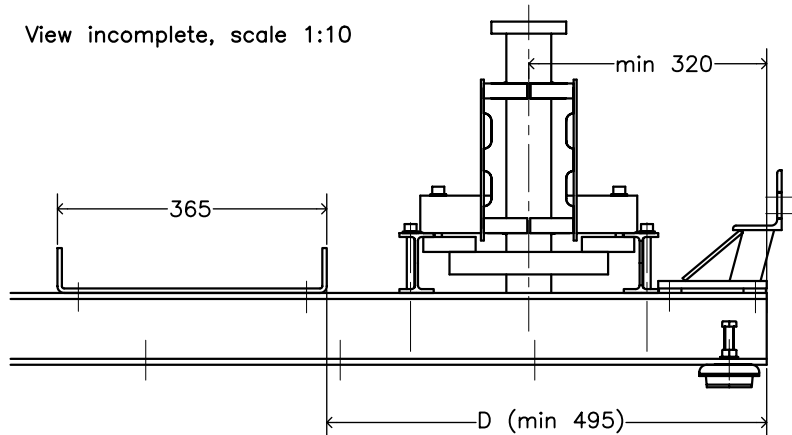
View incomplete, scale 1:10



View incomplete, scale 1:10

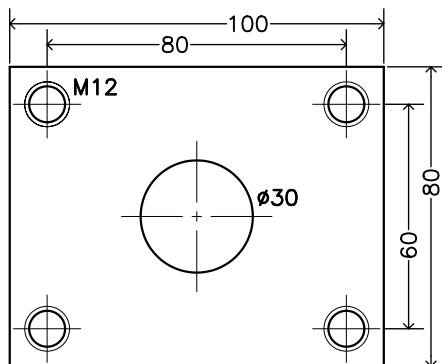


View incomplete, scale 1:10



Prop head

Scale 1:2



Patent pending

Weinlich GmbH & Co. KG

Industriestr. 6
D - 68799 Reilingen
Germany

Phone 0 62 05 - 40 25
Fax 0 62 05 - 1 77 44
int'l 49 62 05 -

Email: info@weinlich.de
Internet: www.weinlich.de

DP 616/407 GB
dp/gb616.pdf